

ST-12A Hinge

Position control · Constant torque

Features

- Smooth, zero backlash operation
- Space efficient design provides high torque in minimum space
- Constant torque, never needs adjusting

Material

- Zinc alloy and steel, natural

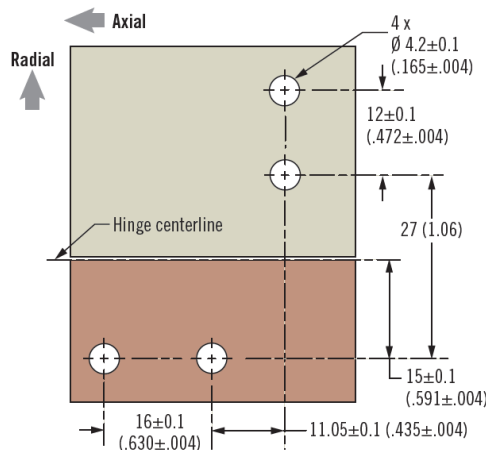
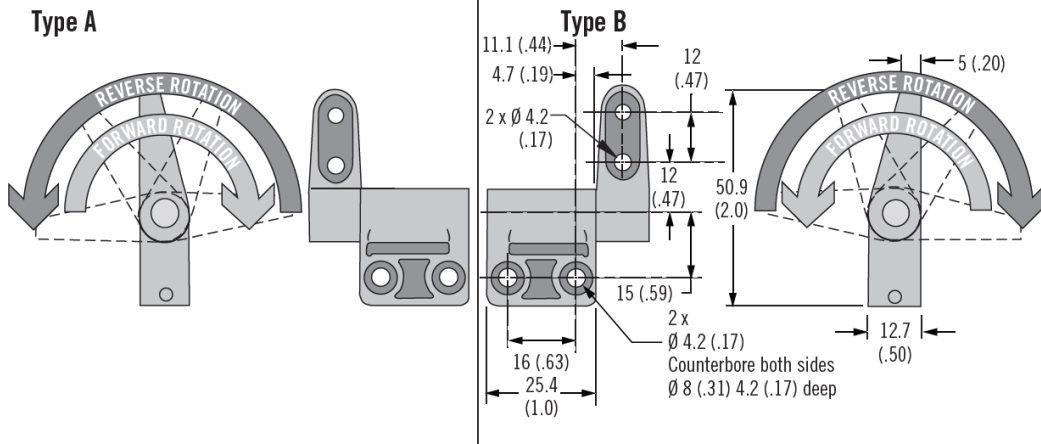
Product Performance

- Cycle performance: 20,000 cycles within $\pm 20\%$ of static torque specification
- Radial load:
 - Maximum static load: 1,000 N
- Axial load:
 - Maximum static load: 1,200 N



Installation Notes

- Install hinge using M4 socket head cap screw
- For proper function, assembly must include one type A and one type B hinge



Symmetric Torque Versions		
Part Number		Static Torque (Forward and Reverse) N·m (in·lbf)
Type A	Type B	
ST-12A-120SA-33	ST-12A-120SB-33	1.4 (12)
ST-12A-200SA-33	ST-12A-200SB-33	2.3 (20)
ST-12A-280SA-33	ST-12A-280SB-33	3.2 (28)
ST-12A-360SA-33	ST-12A-360SB-33	4.1 (36)

Asymmetric Torque Versions			
Part Number		Static Torque N·m (in·lbf)	
Type A	Type B	Forward N·m (in·lbf)	Reverse N·m (in·lbf)
ST-12A-200FA-33	ST-12A-200FB-33	2.3 (20)	1.5 (13.6)
ST-12A-280FA-33	ST-12A-280FB-33	3.2 (28)	2.2 (19.1)
ST-12A-360FA-33	ST-12A-360FB-33	4.1 (36)	2.8 (24.6)
ST-12A-440FA-33	ST-12A-440FB-33	5 (44)	3.4 (30)
ST-12A-200RA-33	ST-12A-200RB-33	1.5 (13.6)	2.3 (20)
ST-12A-280RA-33	ST-12A-280RB-33	2.2 (19.1)	3.2 (28)
ST-12A-360RA-33	ST-12A-360RB-33	2.8 (24.6)	4.1 (36)
ST-12A-440RA-33	ST-12A-440RB-33	3.4 (30)	5 (44)